

# **DURO** **TANK**<sup>®</sup>

*'BUILT TOUGH, PROVEN TOUGH'*



**SMART TANK**  
**20,000L**

**SPEC SHEET**

Size	Safe Fill (L)	Weight (kg)	Length (mm)	Width (mm)	Height (mm)
20,000	19,000L	6000	4500	2400	2700

### Standard Features:

- Designed and manufactured in Australia to Australian Standards
- Self bunded (double wall)
- Manway for access to inner tank
- Fork Lift Pockets and Under tank visibility for visual inspection
- 3" Bulk fill point with Overfill protection valve and alarm.
- Fold Out Access Ladder
- 4 Lift points for easy moving and transportation (whilst Empty only)
- Calibrated dipstick with safe fill level, located in a Lockable Spill Box
- Domed roof to stop water/dirt pooling
- Safety signage for Australian regulations
- Lockable Pump bay with container style doors and locks.

### Optional Pumps:

- 240v Pump
- Diesel or Petrol Driven Pumps
- Ebsray Pumps
- Regent Pumps

**Have a pump you want? let the team know**

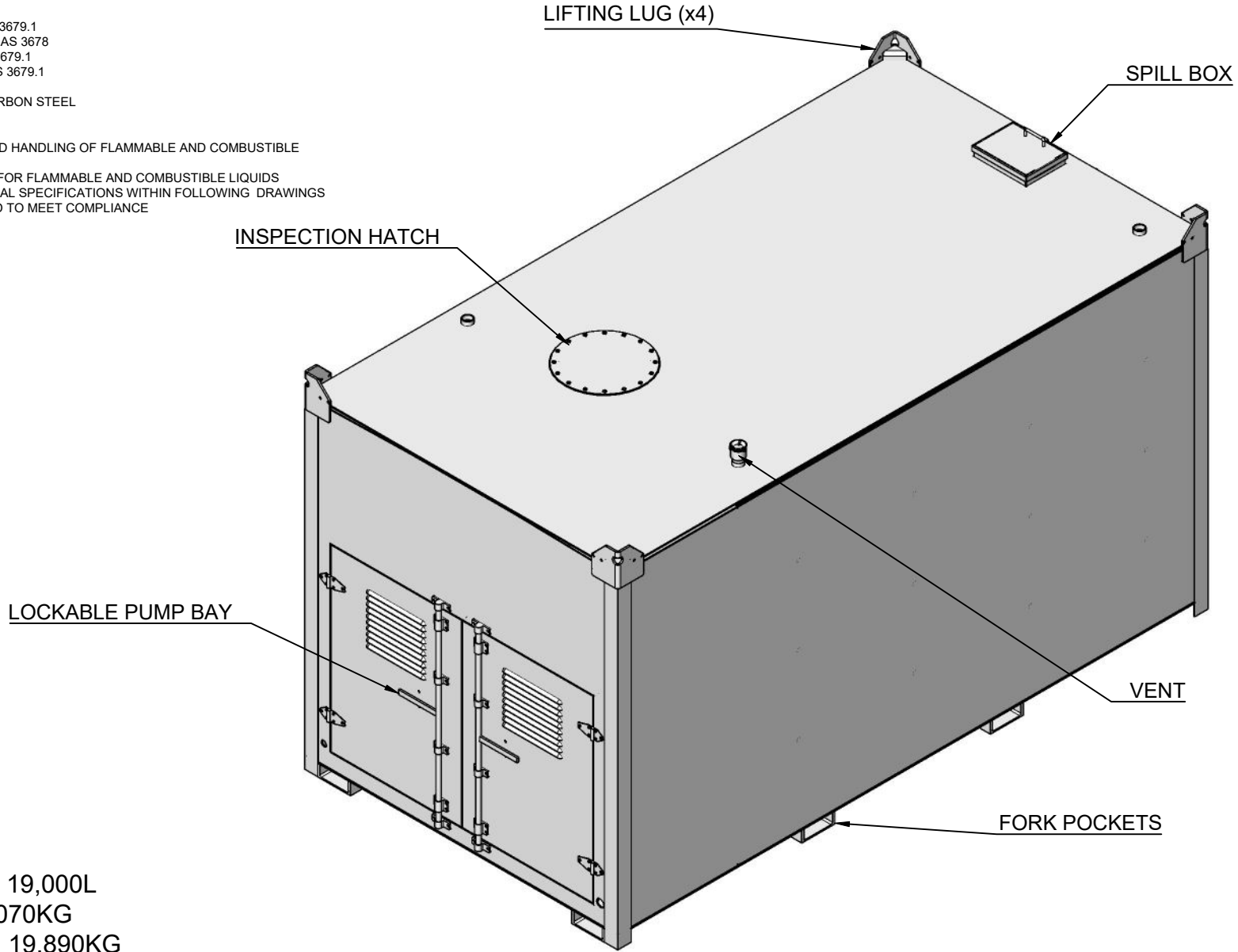
### Optional Accessories:

- 10m, 20m or 30m Heavy Duty Retractable Hose Reel
- 1-10m Loose Hose
- Emergency Stop, Battery Isolator and Reflective Mine Tape
- High Mast Assembly
- LED Light Kits
- Fuel Management Systems
- Reconnectable Breakaway Coupling
- Ocio Tank Level Gauge
- Spill Kits & Fire Extinguishers
- 250T Drive Over Spill Grate
- Credit Card Reader (24/7 public sites)
- Auto Shutoff Nozzle
- Wiggins Nozzle



**ENGINEERING SPECIFICATIONS:**

1. MATERIAL SPECIFICATION
    - FLAT: GRADE 300+ AS/NZS 3679.1
    - PLATE/ SHEET: GRADE 250 AS 3678
    - PFC: GRADE 300+ AS/NZS 3679.1
    - R/BAR: GRADE 300+ AS/NZS 3679.1
    - ALL FLANGES ANSI 150
    - ALL VALVES FIRE SAFE CARBON STEEL
  2. DESIGN COMPLIANCE
    - ADG CODE 7th EDITION
    - AS1940-2004: STORAGE AND HANDLING OF FLAMMABLE AND COMBUSTIBLE LIQUIDS
    - AS1692-2006: STEEL TANK FOR FLAMMABLE AND COMBUSTIBLE LIQUIDS
    - DIMENSIONAL AND MATERIAL SPECIFICATIONS WITHIN FOLLOWING DRAWINGS
- SET NEED TO BE MAINTAINED AND TO MEET COMPLIANCE



SAFE FILL LEVEL: 19,000L  
 TARE WEIGHT: 4,070KG  
 LOADED WEIGHT: 19,890KG



GENERAL NOTES	
- ALL DIMENSIONS ARE IN MILLIMETERS (mm) U.N.O	
- GENERAL TOLERANCE U.N.O	
X	± 0.5
XX	± 0.1
XXX	± 0.05
Angular	± 0.25°
- REMOVE ALL SHARP EDGES AND BURRS	
- PAINTING MANUFACTURER IN ACCORDANCE	
- MATERIAL GR250	
MASS: N/A	

REV	DATE	DETAILS	BY/APPD
A			
REVISION HISTORY			

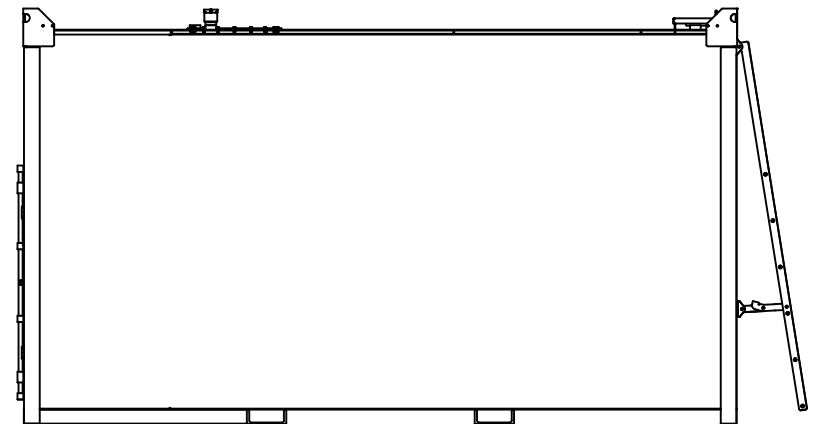
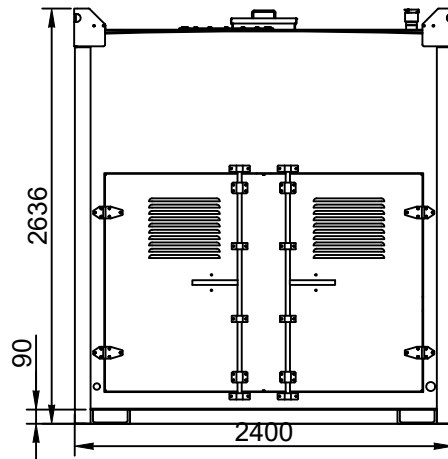
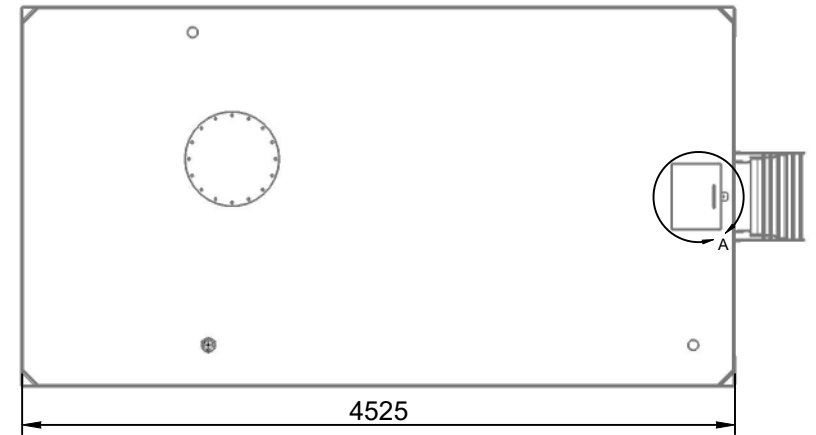
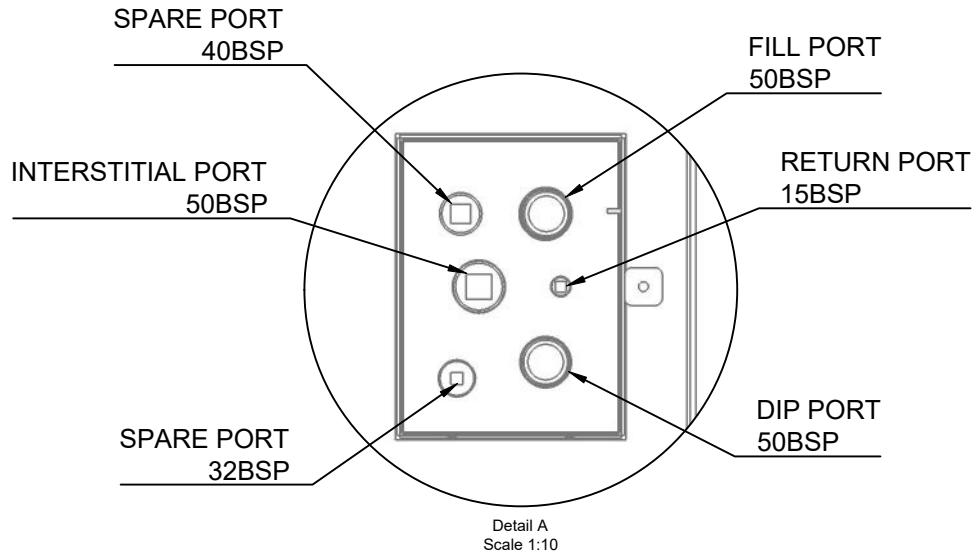


**DURABILITY BUILT TO LAST**

114-116 Canada St, Lake Cargelligo NSW 2672  
 Phone: 1300 829 802  
 Fax: 1300 259 659

	
THIRD ANGLE PROJECTION - AS1100	STANDARD FINISH SURFACE
CHK:	DATE: 00/00/2018
DRN: MWH	DATE: 22.01.2019

TITLE	
OVERVIEW	
SHEET NO:	ST020
A4	
DO NOT SCALE U.N.O	PAGE 01 OF 02

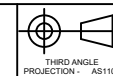


- GENERAL NOTES**
- ALL DIMENSIONS ARE IN MILLIMETERS (mm) U.N.O
  - GENERAL TOLERANCE U.N.O
    - X ± 0.5
    - XX ± 0.1
    - XXX ± 0.05
    - Angular ± 0.25°
  - REMOVE ALL SHARP EDGES AND BURRS
  - PAINTING MANUFACTURER IN ACCORDANCE
  - MATERIAL GR250

REV	DATE	DETAILS	BY/APPD
A			
REVISION HISTORY			

**DURO**  
**TANK**  
DURABILITY BUILT TO LAST

114-116 Canada St, Lake Cargelligo NSW 2672  
Phone: 1300 829 802  
Fax: 1300 259 659



CHK: DATE: 00/00/2018  
DRN: MWH DATE: 22.01.2019

TITLE		LAYOUTS	
SHEET	DWG NO:	ST020	
A4	DO NOT SCALE U.N.O		PAGE 02 OF 02

MASS: N/A