



'BUILT TOUGH, PROVEN TOUGH'



**SMART TANK
10,000L**

SPEC SHEET

Size	Safe Fill (L)	Weight (kg)	Length (mm)	Width (mm)	Height (mm)
10,000L	9,000L	2,910	4300	2400	1500

Standard Features:

- Designed and manufactured in Australia to Australian Standards
- Self bunded (double wall)
- Manway for access to inner tank
- Fork Lift Pockets and Under tank visibility for visual inspection
- 2" Bulk fill point with Overfill protection valve and alarm.
- 4 Lift points for easy moving and transportation (whilst Empty only)
- Calibrated dipstick with safe fill level, located in a Lockable Spill Box
- Domed roof to stop water/dirt pooling
- Safety signage for Australian regulations
- Lockable Pump bay with container style doors and locks.

Optional Pumps:

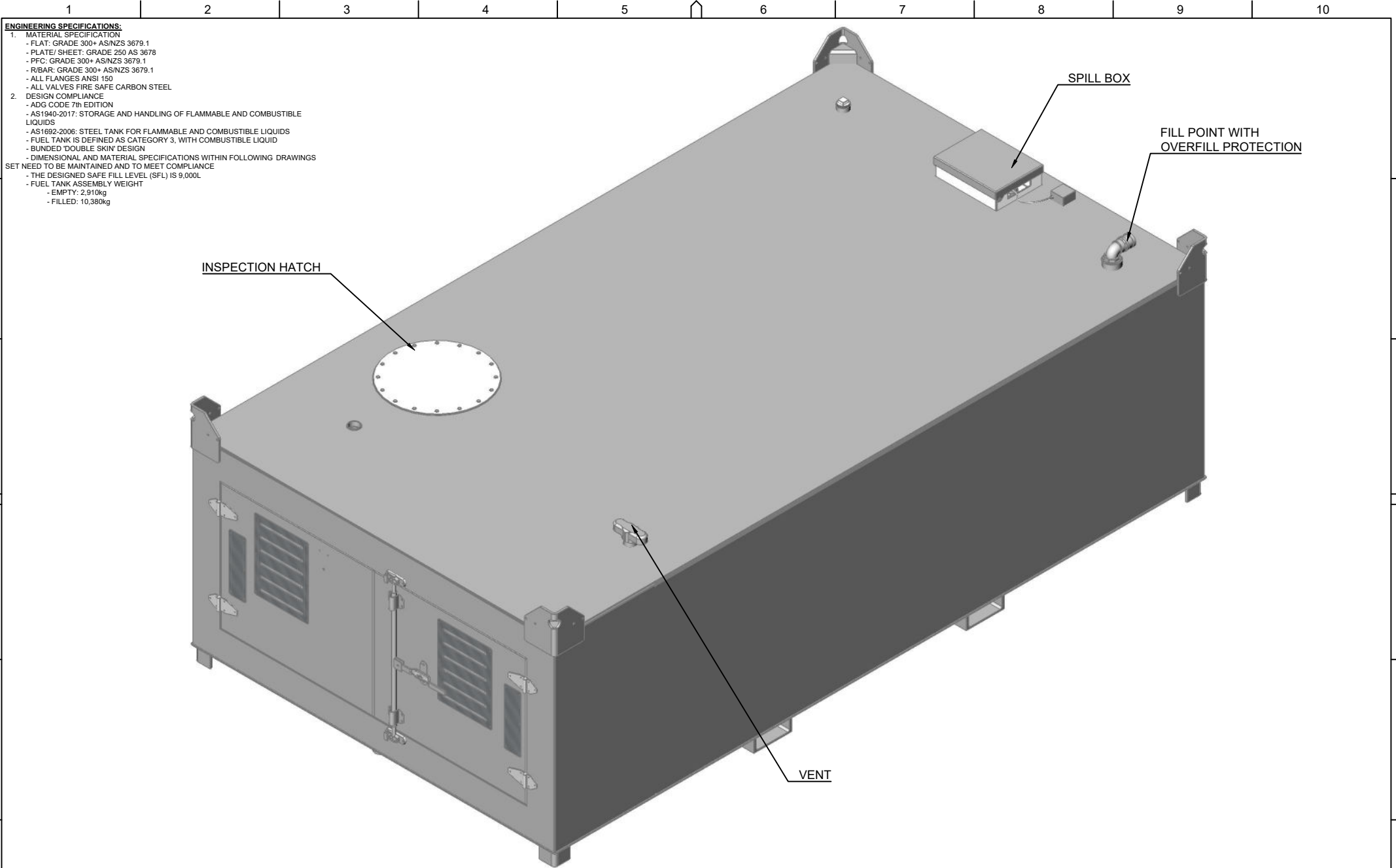
- 240v Pump
- Diesel or Petrol Driven Pumps
- Ebsray Pumps
- Regent Pumps

Have a pump you want? let the team know

Optional Accessories:

- 10m, 20m or 30m Heavy Duty Retractable Hose Reel
- 1-10m Loose Hose
- Emergency Stop, Battery Isolator and Reflective Mine Tape
- High Mast Assembly
- LED Light Kits
- Fuel Management Systems
- Reconnectable Breakaway Coupling
- Ocio Tank Level Gauge
- Spill Kits & Fire Extinguishers
- 250T Drive Over Spill Grate
- Credit Card Reader (24/7 public sites)
- Auto Shutoff Nozzle
- Wiggins Nozzle





ENGINEERING SPECIFICATIONS:

1. MATERIAL SPECIFICATION
 - FLAT: GRADE 300+ AS/NZS 3679.1
 - PLATE/ SHEET: GRADE 250 AS 3678
 - PFC: GRADE 300+ AS/NZS 3679.1
 - R/BAR: GRADE 300+ AS/NZS 3679.1
 - ALL FLANGES ANSI 150
 - ALL VALVES FIRE SAFE CARBON STEEL
 2. DESIGN COMPLIANCE
 - ADG CODE 7th EDITION
 - AS1940-2017: STORAGE AND HANDLING OF FLAMMABLE AND COMBUSTIBLE LIQUIDS
 - AS1692-2006: STEEL TANK FOR FLAMMABLE AND COMBUSTIBLE LIQUIDS
 - FUEL TANK IS DEFINED AS CATEGORY 3, WITH COMBUSTIBLE LIQUID
 - BUNDED 'DOUBLE SKIN' DESIGN
- DIMENSIONAL AND MATERIAL SPECIFICATIONS WITHIN FOLLOWING DRAWINGS SET NEED TO BE MAINTAINED AND TO MEET COMPLIANCE
- THE DESIGNED SAFE FILL LEVEL (SFL) IS 9,000L
 - FUEL TANK ASSEMBLY WEIGHT
 - EMPTY: 2,910kg
 - FILLED: 10,380kg

A

B

C

D

E

F

A

B

C

D

E

F

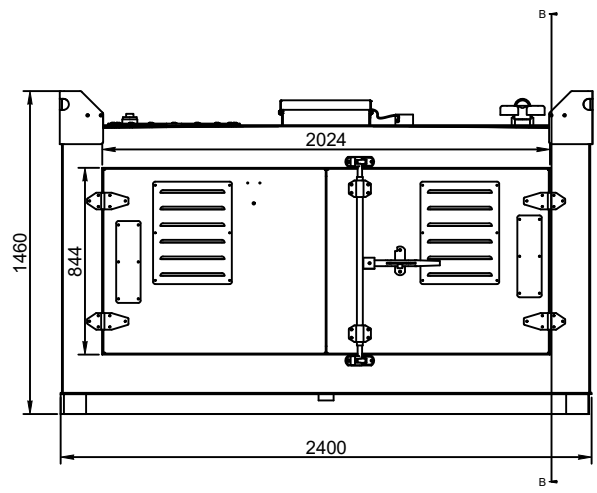
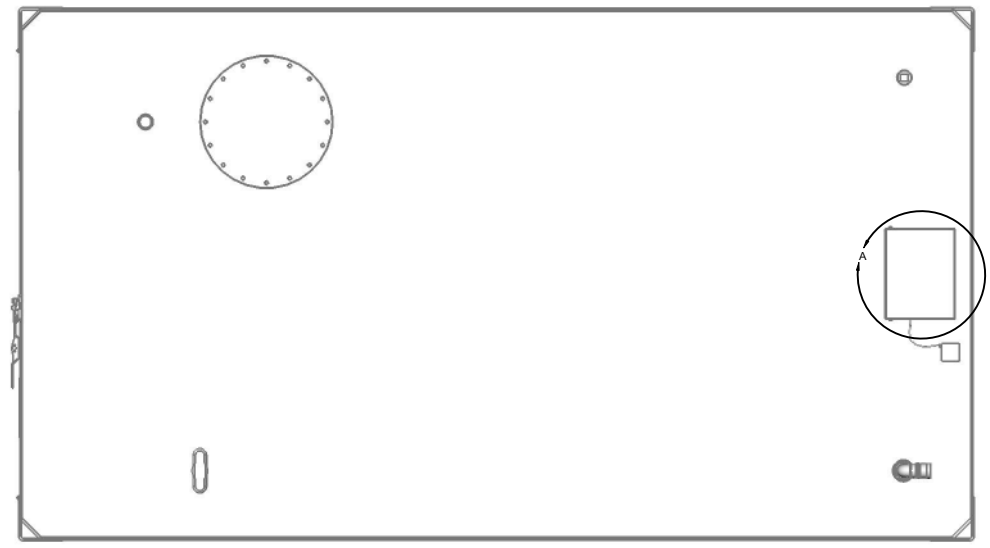
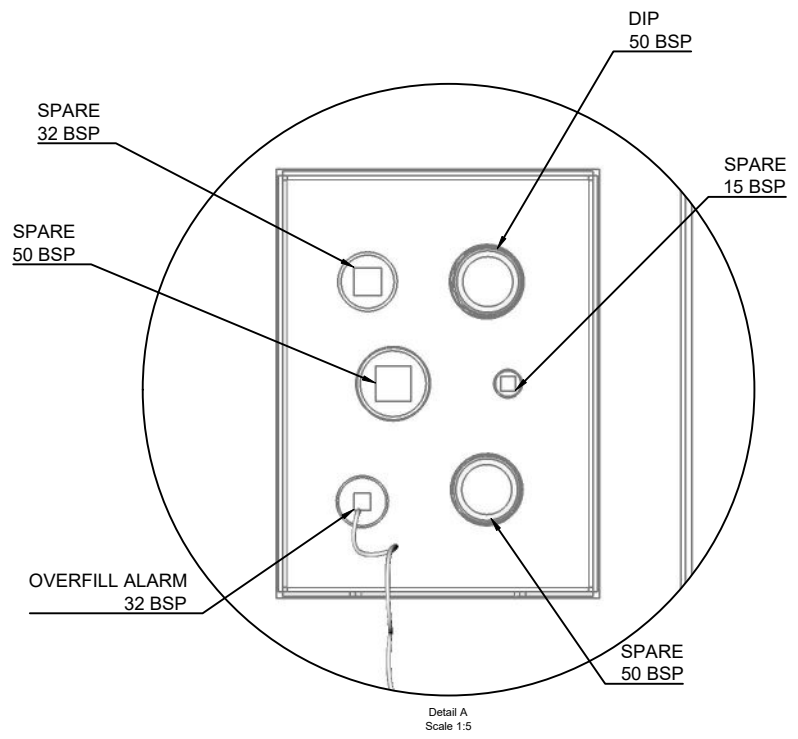
REV	DATE	DETAILS	BY/APPD

GENERAL NOTES
 ALL DIMENSIONS ARE IN MILLIMETERS (mm) U.N.O
 GENERAL TOLERANCE U.N.O
 X ±0.5
 XX ±0.1
 XXX ±0.05
 Angular ±0.25°
 REMOVE ALL SHARP EDGES AND BURRS
 PAINTING MANUFACTURER IN ACCORDANCE
 MATERIAL GR250

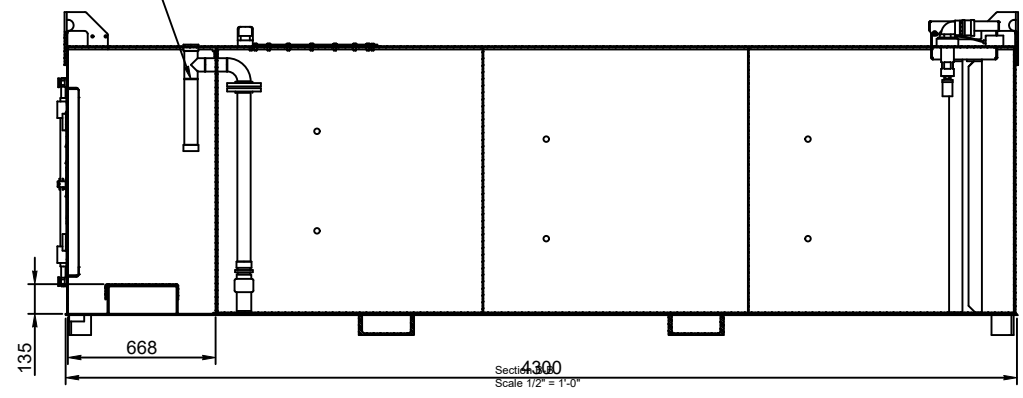
2 West St, Lake Cargelligo NSW 2672
 Phone: 1300 829 802
 Email: sales@durotank.com.au
 Web: www.durotank.com.au



 TITLED AND DIMENSIONED 1:5 STANDARD FINISH DRN: MWH DATE: 12.07.2023 CHK:		TITLE OVERVIEW	
SHEET A3	DWG NO:	ST010	PAGE 01 OF 02



2" SUCTION PIPE WITH PRIME POINT



REV	DATE	DETAILS	BY	APPD
REVISION HISTORY				

GENERAL NOTES
 ALL DIMENSIONS ARE IN MILLIMETERS (mm) U.N.O.
 GENERAL TOLERANCE U.N.O.
 X ±0.5
 XX ±0.1
 XXX ±0.05
 Angular ±0.25°
 REMOVE ALL SHARP EDGES AND BURRS
 PAINTING MANUFACTURER IN ACCORDANCE
 MATERIAL GR250

2 West St, Lake Cargelligo NSW 2672
 Phone: 1300 629 802
 Email: sales@durotank.com.au
 Web: www.durotank.com.au



 THIRD ANGLE PROJECTION REF: 2010	TITLE OVERVIEW
STANDARD FINISH REF: 2010 DRN: MWH DATE: 12.07.2023 CHK:	SHEET NO: A3 DWG NO: ST010 DO NOT SCALE U.N.O. PAGE 02 OF 02