

DURO **TANK**[®]

'BUILT TOUGH, PROVEN TOUGH'



Smart Cube
1,500L

SPEC SHEET

Size	Safe Fill (L)	Weight (kg)	Length (mm)	Width (mm)	Height (mm)
1,500L	1,500L	535	1200	1200	1500

Standard Features:

- Designed and manufactured in Australia to Australian Standards
- Self bunded (double wall)
- Manway for access to inner tank
- Fork Lift Pockets and Under tank visibility for visual inspection
- Full load rated lifting brackets
- Stackable whilst empty
- 4 Lift points for easy moving and transportation
- Calibrated dipstick with safe fill level, located in a Lockable Spill Box
- Safety signage for Australian regulations

Optional Pumps:

- 12v/24v Pump (with or without Solar Battery kit)
- 240v Pump
- Diesel or Petrol Driven Pumps
- Ebsray Pumps
- Regent Pumps

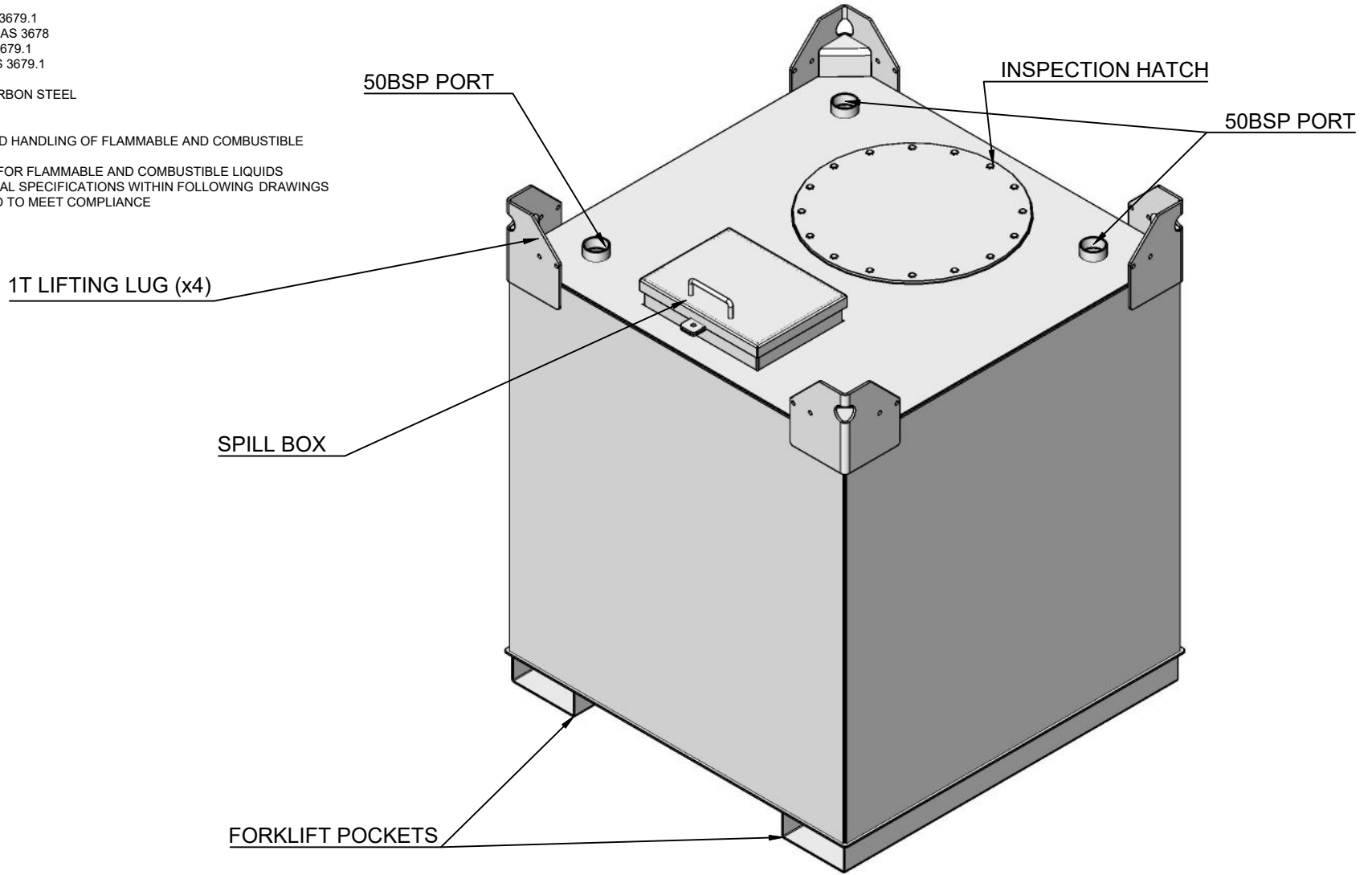
Optional Accessories:

- 10m, 20m or 30m Heavy Duty Retractable Hose Reel
- 1-10m Loose Hose
- Emergency Stop, Battery Isolator and Reflective Mine Tape
- High Mast Assembly
- LED Light Kits
- Fuel Management Systems
- Reconnectable Breakaway Coupling
- Ocio Tank Level Gauge
- Spill Kits & Fire Extinguishers
- 250T Drive Over Spill Grate
- Credit Card Reader (24/7 public sites)
- Auto Shutoff Nozzle
- Wiggins Nozzle
- Single or Dual door pump cabinets



ENGINEERING SPECIFICATIONS:

1. MATERIAL SPECIFICATION
 - FLAT: GRADE 300+ AS/NZS 3679.1
 - PLATE/ SHEET: GRADE 250 AS 3678
 - PFC: GRADE 300+ AS/NZS 3679.1
 - R/BAR: GRADE 300+ AS/NZS 3679.1
 - ALL FLANGES ANSI 150
 - ALL VALVES FIRE SAFE CARBON STEEL
 2. DESIGN COMPLIANCE
 - ADG CODE 7th EDITION
 - AS1940-2004: STORAGE AND HANDLING OF FLAMMABLE AND COMBUSTIBLE LIQUIDS
 - AS1692-2006: STEEL TANK FOR FLAMMABLE AND COMBUSTIBLE LIQUIDS
 - DIMENSIONAL AND MATERIAL SPECIFICATIONS WITHIN FOLLOWING DRAWINGS
- SET NEED TO BE MAINTAINED AND TO MEET COMPLIANCE





SAFE FILL LEVEL: 1500L
 TARE WEIGHT: 500KG
 LOADED WEIGHT: 1750KG

GENERAL NOTES			
- ALL DIMENSIONS ARE IN MILLIMETERS (mm) U.N.O			
- GENERAL TOLERANCE U.N.O			
	X	± 0.5	
	X.X	± 0.1	
	X.XX	± 0.05	
	Angular	±0.25°	
- REMOVE ALL SHARP EDGES AND BURRS			
- PAINTING MANUFACTURER IN ACCORDANCE			
- MATERIAL GR250			
MASS: N/A			

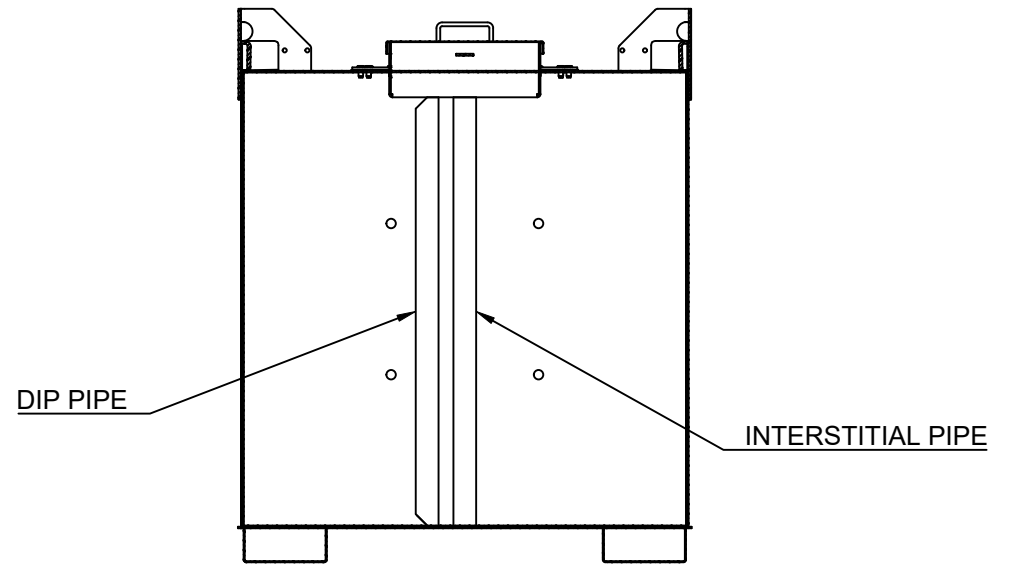
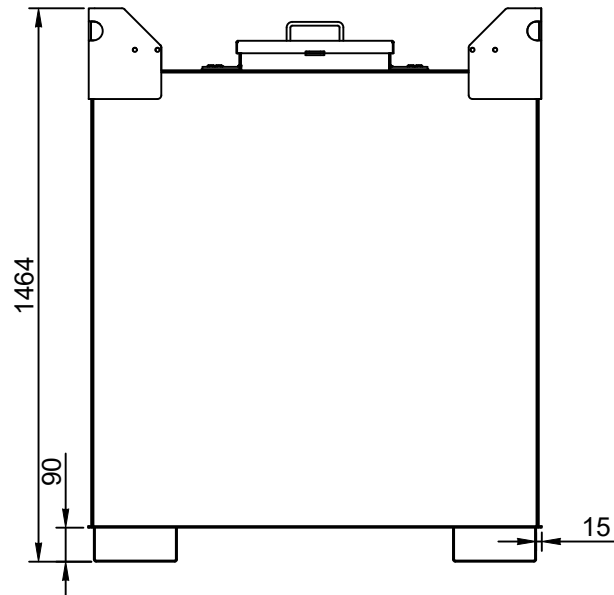
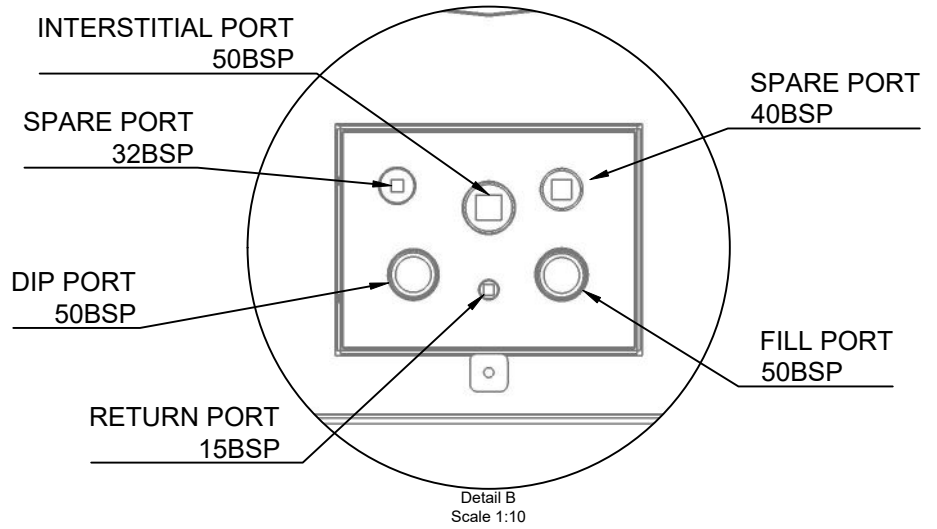
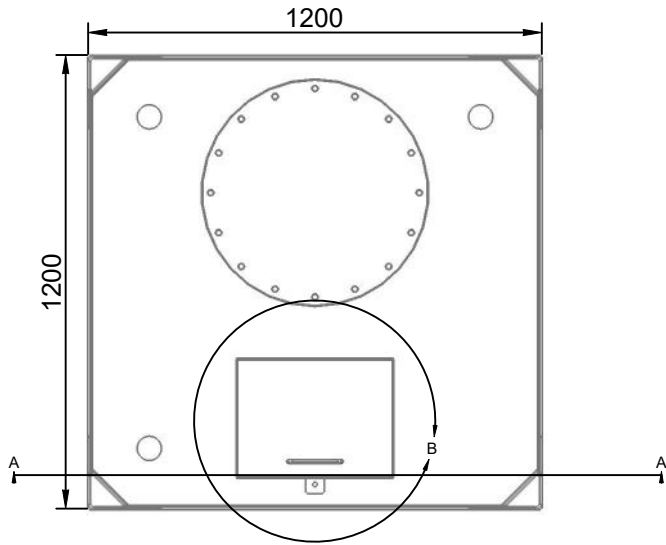
REV	DATE	DETAILS	BY/APPD
A			
REVISION HISTORY			


DURABILITY BUILT TO LAST

114-116 Canada St, Lake Cargelligo NSW 2672
 Phone: 1300 829 802
 Fax: 1300 259 659

	
THIRD ANGLE PROJECTION - AS1100	STANDARD FINISH SURFACE
CHK:	DATE: 00/00/2018
DRN: MWH	DATE: 16.04.2019

TITLE	
OVERVIEW	
SHEET NO:	SC015
A4	
DO NOT SCALE U.N.O	PAGE 01 OF 00



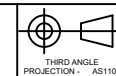
Section A-A
Scale 1:20

- GENERAL NOTES**
- ALL DIMENSIONS ARE IN MILLIMETERS (mm) U.N.O
 - GENERAL TOLERANCE U.N.O
 - X ± 0.5
 - X.X ± 0.1
 - X.XX ± 0.05
 - Angular ± 0.25
 - REMOVE ALL SHARP EDGES AND BURRS
 - PAINTING MANUFACTURER IN ACCORDANCE
 - MATERIAL GR250

REV	DATE	DETAILS	BY/APPD
A			
REVISION HISTORY			

DURO
TANK
DURABILITY BUILT TO LAST

114-116 Canada St, Lake Cargelligo NSW 2672
Phone: 1300 829 802
Fax: 1300 259 659



CHK: DATE: 00/00/2018
DRN: MWH DATE: 16.04.2019

TITLE		LAYOUTS	
SHEET	DWG NO:	DC015	
A4			PAGE 02 OF 02

MASS: N/A