

DURO **TANK**[®]

'BUILT TOUGH, PROVEN TOUGH'



Durotanker
5,000L

SPEC SHEET

Size	Safe Fill (L)	Weight (kg)	Length (mm)	Width (mm)	Height (mm)
5,000L	4,700	2000	5400	2400	1650

Standard Features:

- Designed and manufactured in Australia to Australian Standards
- Self bunded (double wall)
- Dual Axle, low profile design with low centre of gravity
- Spare Wheel, mount to rear of trailer
- Calibrated dipstick with safe fill level
- Safety signage for Australian regulations
- Rubber Torison Suspension - which is maintenance free
- 5x new 16" Wheel
- Air Brakes
- 4.5kg Fire Extinguisher and 30L Spill kit

Optional Pumps:

- 12v/24v Pump (with or without Solar Battery kit)
- Diesel or Petrol Driven Pumps

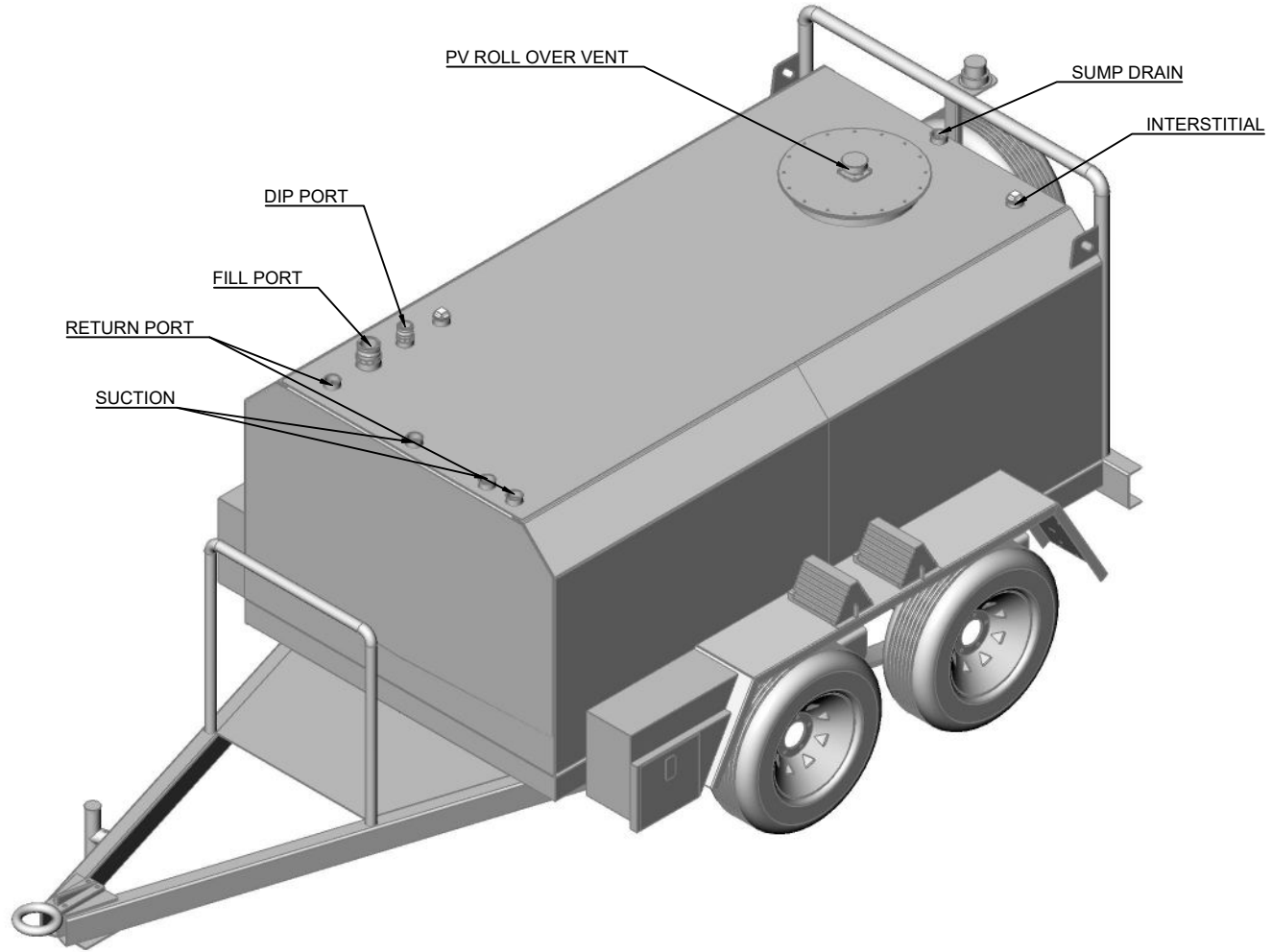
Optional Accessories:

- 10m, 20m or 30m Heavy Duty Retractable Hose Reel
- 1-10m Loose Hose
- Emergency Stop, Battery Isolator, Wheel Chocks, Wheel Nut Indicators and Reflective Mine Tape
- LED Work Light Kits
- Fuel Management Systems
- Reconnectable Breakaway Coupling
- Auto Shutoff Nozzle
- Wiggins Nozzle



ENGINEERING SPECIFICATIONS:

1. MATERIAL SPECIFICATION
 - FLAT: GRADE 300+ AS/NZS 3679.1
 - PLATE/ SHEET: GRADE 250 AS 3678
 - PFC: GRADE 300+ AS/NZS 3679.1
 - R/BAR: GRADE 300+ AS/NZS 3679.1
 - ALL FLANGES ANSI 150
 - ALL VALVES FIRE SAFE CARBON STEEL
 2. DESIGN COMPLIANCE
 - ADG CODE 7th EDITION
 - AS1940-2017: STORAGE AND HANDLING OF FLAMMABLE AND COMBUSTIBLE LIQUIDS
 - AS1692-2006: STEEL TANK FOR FLAMMABLE AND COMBUSTIBLE LIQUIDS
 - FUEL TANK IS DEFINED AS CATEGORY 3, WITH COMBUSTIBLE LIQUID
 - BUNDED 'DOUBLE SKIN' DESIGN
- DIMENSIONAL AND MATERIAL SPECIFICATIONS WITHIN FOLLOWING DRAWINGS SET NEED TO BE MAINTAINED AND TO MEET COMPLIANCE
- THE DESIGNED SAFE FILL LEVEL (SFL) IS 4,700L



REV	DATE	DETAILS	BY/APPD

GENERAL NOTES
 ALL DIMENSIONS ARE IN MILLIMETERS (mm) U.N.O
 GENERAL TOLERANCE U.N.O
 X ±0.5
 X.X ±0.1
 X.XX ±0.05
 Angular ±0.25°
 REMOVE ALL SHARP EDGES AND BURRS
 PAINTING MANUFACTURER IN ACCORDANCE
 MATERIAL GR250

2 West St, Lake Cargelligo NSW 2672
 Phone: 1300 829 802
 Email: sales@durotank.com.au
 Web: www.durotank.com.au



 THIRD ANGLE PROJECTION REF: AS 1100	STANDARD FINISH REF: AS 1100	TITLE OVERVIEW
DRN: MWH DATE: 05.06.2020 CHK:	SHEET A3	DWG NO: DT050 DO NOT SCALE U.N.O PAGE 01 OF 02

