



*'BUILT TOUGH, PROVEN TOUGH'*



**Durotanker  
3,500L**

**SPEC SHEET**

Size	Safe Fill (L)	Weight (kg)	Length (mm)	Width (mm)	Height (mm)
3,500L	3,500	1,600	5100	2400	1650

### Standard Features:

- Designed and manufactured in Australia to Australian Standards
- Self bunded (double wall)
- Dual Axle, low profile design with low centre of gravity
- Spare Wheel, mount to rear of trailer
- Lockable pump cabinet with gus struts
- Calibrated dipstick with safe fill level
- Safety signage for Australian regulations
- Rubber Torison Suspension - which is maintenance free
- 5x new 16" Wheel
- Electric Brakes with Brake Safe Unit
- 4.5kg Fire Extinguisher and 30L Spill kit
- Side toolbox and water tank

### Optional Pumps:

- 12v/24v Pump (with or without Solar Battery kit)
- Diesel or Petrol Driven Pumps

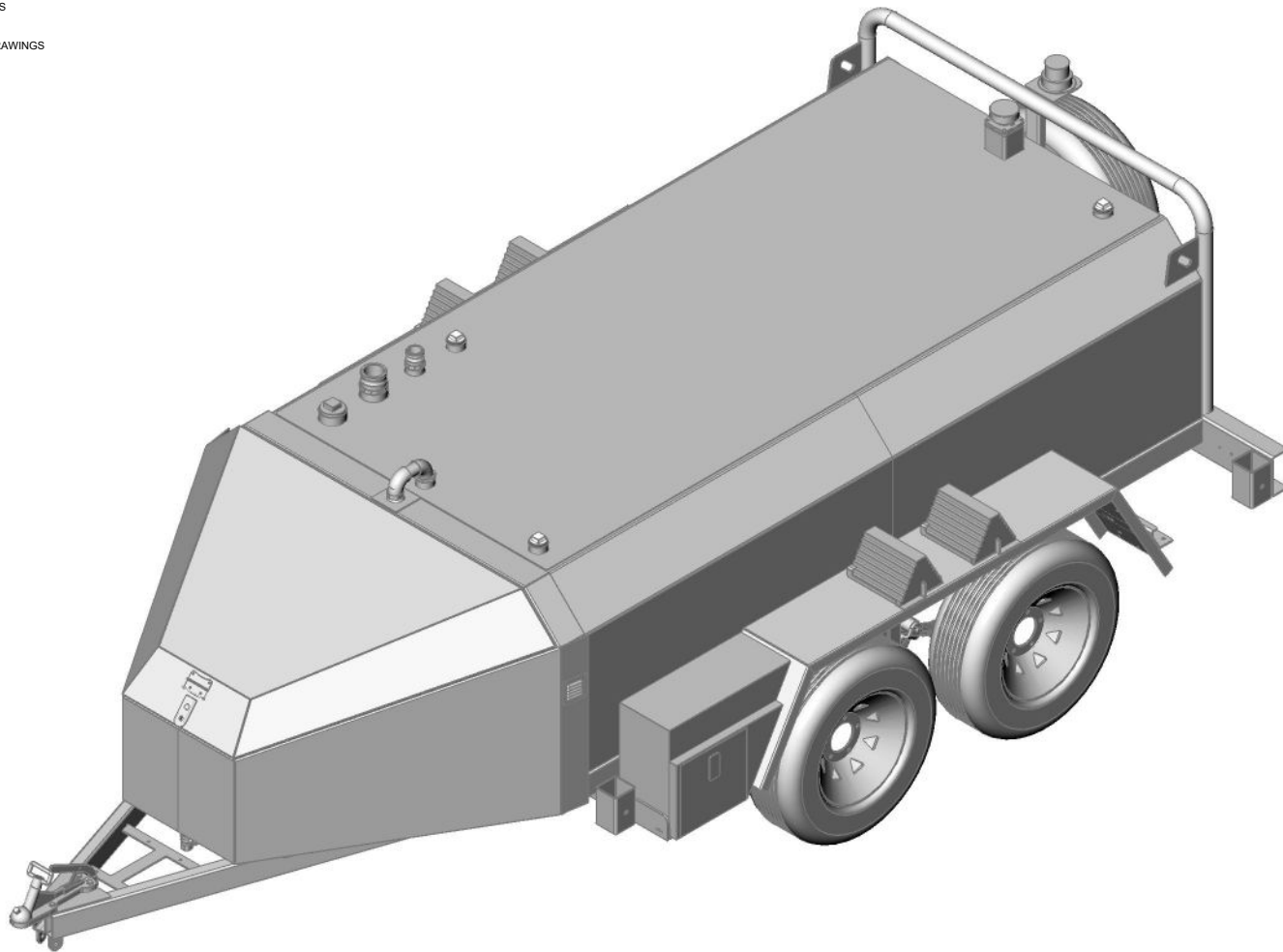
### Optional Accessories:

- 10m, 20m or 30m Heavy Duty Retractable Hose Reel
- 1-10m Loose Hose
- Emergency Stop, Battery Isolator, Wheel Chocks, Wheel Nut Indicators and Reflective Mine Tape
- LED Work Light Kits
- Fuel Management Systems
- Reconnectable Breakaway Coupling
- Auto Shutoff Nozzle
- Wiggins Nozzle



**ENGINEERING SPECIFICATIONS:**

1. MATERIAL SPECIFICATION
    - FLAT: GRADE 300+ AS/NZS 3679.1
    - PLATE/ SHEET: GRADE 250 AS 3678
    - PFC: GRADE 300+ AS/NZS 3679.1
    - R/BAR: GRADE 300+ AS/NZS 3679.1
    - ALL FLANGES ANSI 150
    - ALL VALVES FIRE SAFE CARBON STEEL
  2. DESIGN COMPLIANCE
    - ADG CODE 7th EDITION
    - AS1940-2017: STORAGE AND HANDLING OF FLAMMABLE AND COMBUSTIBLE LIQUIDS
    - AS1692-2006: STEEL TANK FOR FLAMMABLE AND COMBUSTIBLE LIQUIDS
    - FUEL TANK IS DEFINED AS CATEGORY 3, WITH COMBUSTIBLE LIQUID
    - BUNDED 'DOUBLE SKIN' DESIGN
- DIMENSIONAL AND MATERIAL SPECIFICATIONS WITHIN FOLLOWING DRAWINGS SET NEED TO BE MAINTAINED AND TO MEET COMPLIANCE
- THE DESIGNED SAFE FILL LEVEL (SFL) IS
  - FUEL TANK ASSEMBLY WEIGHT
    - EMPTY:
    - FILLED:



REV	DATE	DETAILS	BY/APPD

**GENERAL NOTES**  
 ALL DIMENSIONS ARE IN MILLIMETERS (mm) U.N.O  
 - GENERAL TOLERANCE U.N.O  
 X ±0.25  
 X.X ±0.1  
 X.XX ±0.05  
 Angular ±0.25°  
 - REMOVE ALL SHARP EDGES AND BURRS  
 - PAINTING MANUFACTURER IN ACCORDANCE  
 - MATERIAL GR250

**DURO TANK**  
 DURABILITY BUILT TO LAST

114-116 Canada St. Lake Cargelligo NSW 2672  
 Phone: 1300 829 802  
 Fax: 1300 259 659

	TITLE	
	OVERVIEW	
DRN: MWH	SHEET	DWG
DATE: 22.05.2020	NO:	DC080
CHK:	A3	DO NOT SCALE U.N.O
		PAGE 02 OF 00

1 2 3 4 5 6 7 8 9 10

A

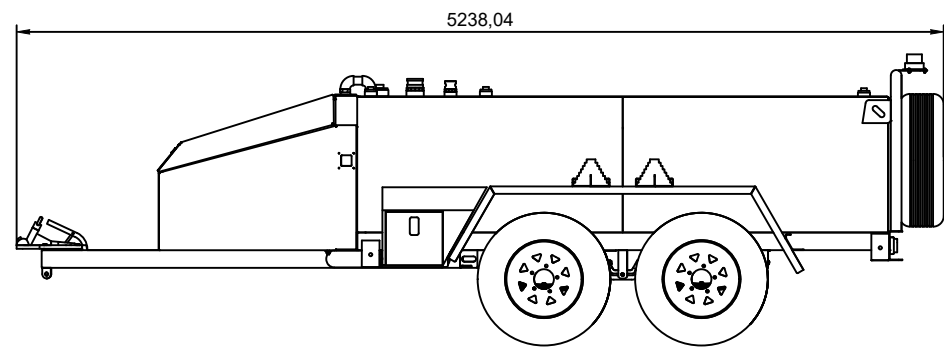
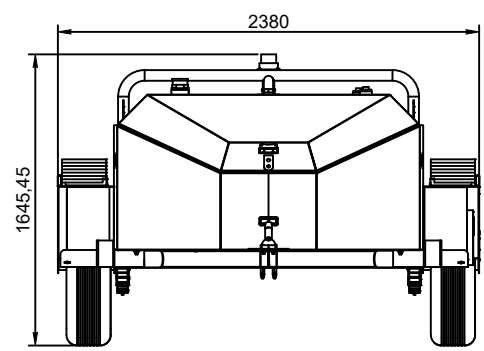
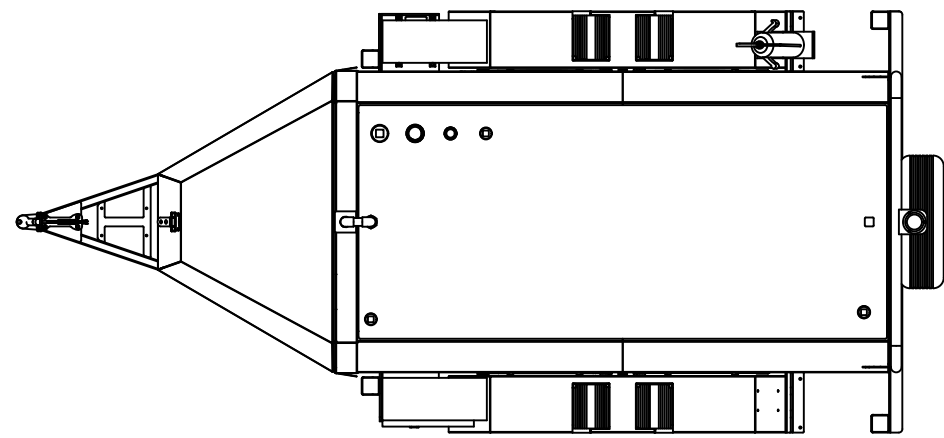
B

C

D

E

F



REV	DATE	DETAILS	BY	APPD

**GENERAL NOTES**  
 ALL DIMENSIONS ARE IN MILLIMETERS (mm) U.N.O.  
 GENERAL TOLERANCE U.N.O.  
 X ± 0.25  
 X.X ± 0.1  
 X.XX ± 0.05  
 Angular ± 0.25°  
 REMOVE ALL SHARP EDGES AND BURRS  
 PAINTING MANUFACTURER IN ACCORDANCE  
 MATERIAL GR250

**DURO TANK**  
 DURABILITY BUILT TO LAST

114-116 Canada St. Lake Cargelligo NSW 2672  
 Phone: 1300 829 802  
 Fax: 1300 259 659

1/8  
 STANDARD FINISH  
 3002.P2

DRN: MWH  
 DATE: 22.05.2020  
 CHK:

TITLE  
 ROOF

SHEET  
 A3

DWG  
 NO: #####

DO NOT SCALE U.N.O. PAGE 02 OF 00

1 2 3 4 5 6 7 8 9 10