

DURO **TANK**[®]

'BUILT TOUGH, PROVEN TOUGH'



**Durotanker Diesel
Adblue 2,000L**

SPEC SHEET

Size	Safe Fill (L)	Weight (kg)	Length (mm)	Width (mm)	Height (mm)
2,000L / 200L	2,000L Diesel/ 200L Adblue	1,280	5100	2000	1650

Standard Features:

- Designed and manufactured in Australia to Australian Standards
- Self bunded (double wall)
- Dual Axle, low profile design with low centre of gravity
- Spare Wheel, mount to rear of trailer
- Lockable pump cabinet with gus struts
- Calibrated dipstick with safe fill level
- Safety signage for Australian regulations
- Rubber Torison Suspension - which is maintenance free
- 5x new 16" Wheel
- Electric Brakes with Brake Safe unit
- 4.5kg Fire Extinguisher and 30L Spill kit
- Side toolbox and water tank

Optional Pumps:

- 12v/24v Pump (with or without Solar Battery kit)
- Diesel or Petrol Driven Pumps

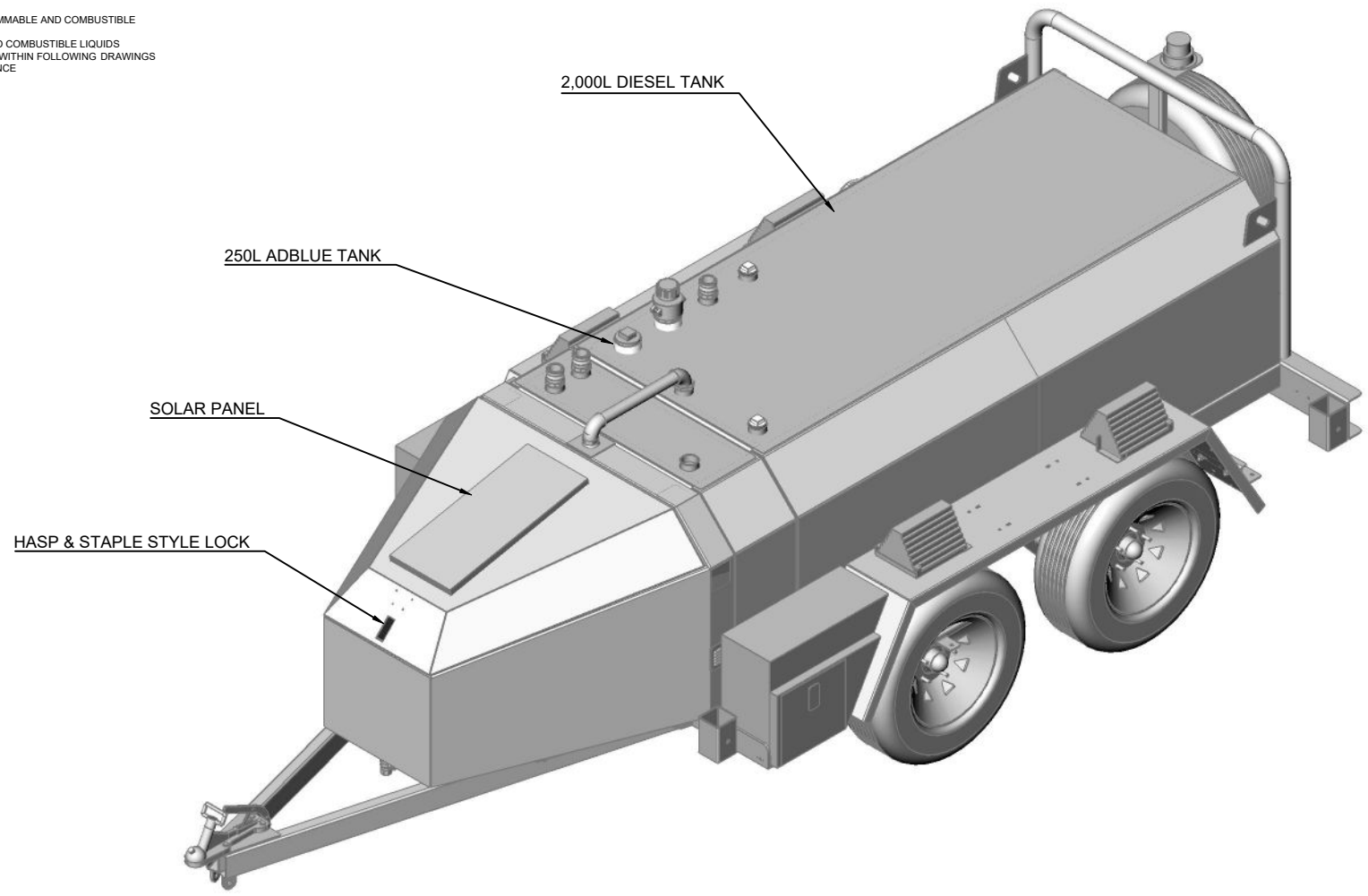
Optional Accessories:

- 10m, 20m or 30m Heavy Duty Retractable Hose Reel
- 1-10m Loose Hose
- Emergency Stop, Battery Isolator, Wheel Chocks, Wheel Nut Indicators and Reflective Mine Tape
- LED Work Light Kits
- Fuel Management Systems
- Reconnectable Breakaway Coupling
- Auto Shutoff Nozzle
- Wiggins Nozzle



ENGINEERING SPECIFICATIONS:

1. MATERIAL SPECIFICATION
 - FLAT: GRADE 300+ AS/NZS 3679.1
 - PLATE/ SHEET: GRADE 250 AS 3678
 - PFC: GRADE 300+ AS/NZS 3679.1
 - R/BAR: GRADE 300+ AS/NZS 3679.1
 - ALL FLANGES ANSI 150
 - ALL VALVES FIRE SAFE CARBON STEEL
2. DESIGN COMPLIANCE
 - ADG CODE 7th EDITION
 - AS1940-2017: STORAGE AND HANDLING OF FLAMMABLE AND COMBUSTIBLE LIQUIDS
 - AS1692-2006: STEEL TANK FOR FLAMMABLE AND COMBUSTIBLE LIQUIDS
 - DIMENSIONAL AND MATERIAL SPECIFICATIONS WITHIN FOLLOWING DRAWINGS SET NEED TO BE MAINTAINED AND TO MEET COMPLIANCE



SAFE FILL LEVEL: 0000L
 TARE WEIGHT: 000KG
 LOADED WEIGHT: 0000KG

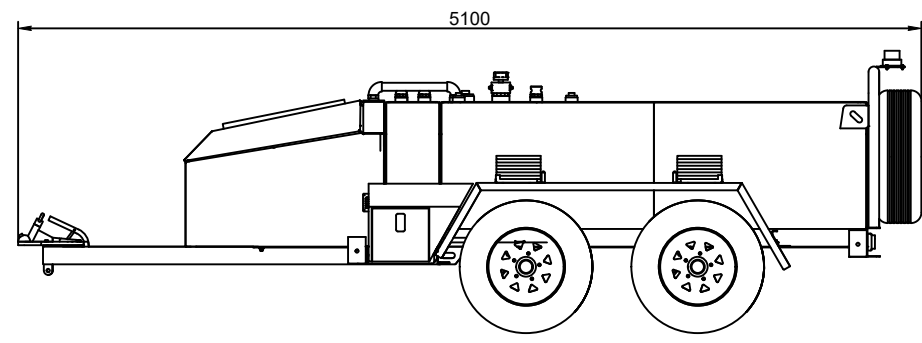
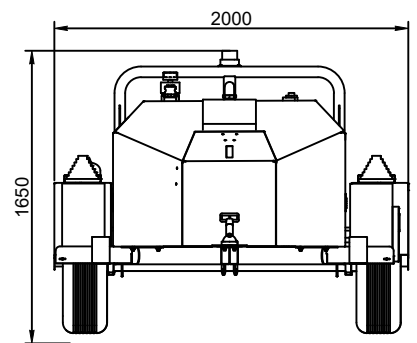
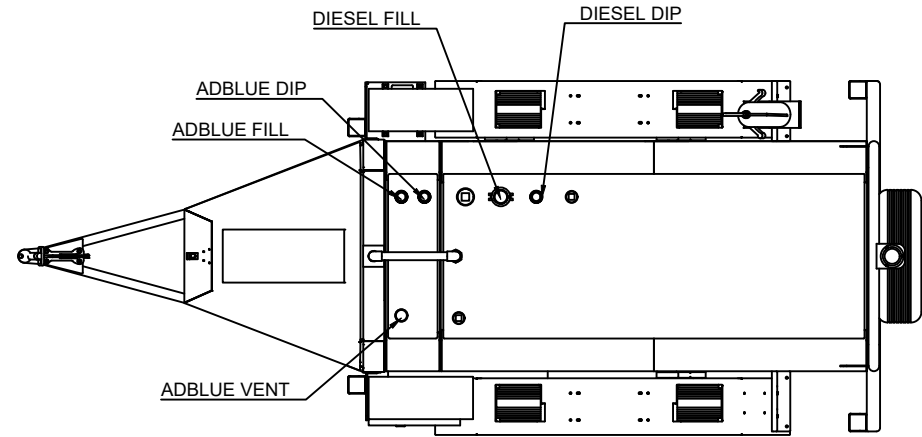
CHECKLIST	SIGNED	DATE
TANK COMPLETE		
PRESSURE TESTED TO 35KPA		
POLISH AND CLEAN TANK		
COMMENTS:		

GENERAL NOTES
 ALL DIMENSIONS ARE IN MILLIMETERS (mm) U.N.O
 GENERAL TOLERANCE U.N.O
 X ±0.5
 XX ±0.1
 XXX ±0.05
 Angles ±0.25°
 REMOVE ALL SHARP EDGES AND BURRS
 PAINTING MANUFACTURER IN ACCORDANCE
 MATERIAL GR250
 MASS: N/A



THIRD ANGLE PROJECTION: AS1100	STANDARD FINISH SURFACE
CHK: DRN: MWH	DATE: 00/00/2018
CUTTING ORDER: 01	DATE: 20.07.2023

TITLE	OVERVIEW
SHEET NO: A3	DWG NO: DT020DAESW
DO NOT SCALE U.N.O	PAGE 01 OF 04

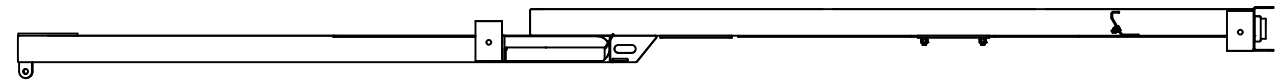
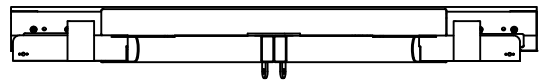
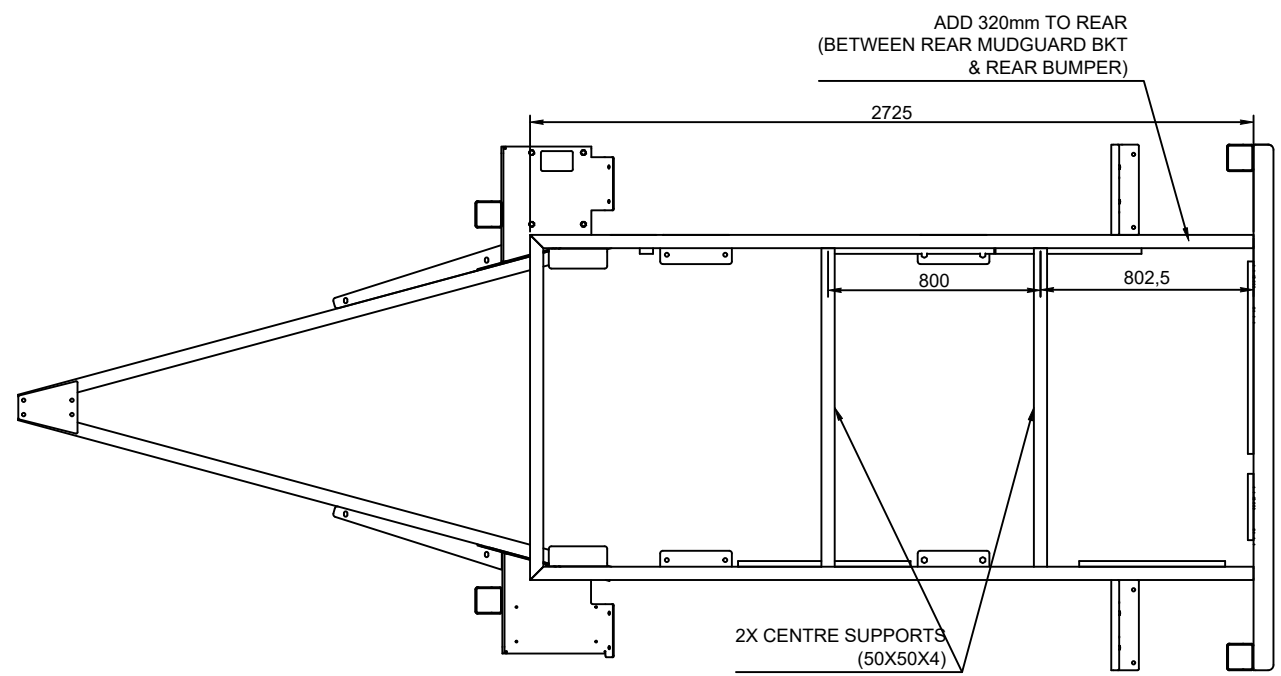
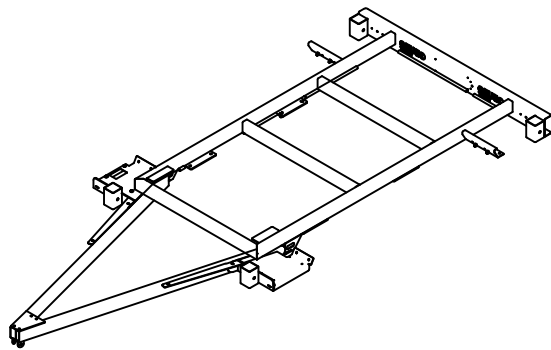


GENERAL NOTES
 ALL DIMENSIONS ARE IN MILLIMETERS (mm) U.N.O
 GENERAL TOLERANCE U.N.O
 X ±0.5
 XX ±0.1
 XXX ±0.05
 Angles ±0.25°
 REMOVE ALL SHARP EDGES AND BURRS
 PAINTING MANUFACTURER IN ACCORDANCE
 MATERIAL GR250
 MASS: N/A

DURO TANK
 DURABILITY BUILT TO LAST
 114-116 Canada St, Lake Cargelligo NSW 2672
 Phone: 1300 829 802
 Fax: 1300 259 659

THIRD ANGLE PROJECTION: AS1100
 DATE: 00/00/2018
 DRN: MWH DATE: 20.07.2023
 CUTTING ORDER: 01

TITLE: DT020DAESW LAYOUTS
 SHEET: A3
 DWG NO: DT020DAESW
 DO NOT SCALE U.N.O PAGE 02 OF 04



GENERAL NOTES
 ALL DIMENSIONS ARE IN MILLIMETERS (mm) U.N.O
 GENERAL TOLERANCE U.N.O
 X ±0.5
 XX ±0.1
 XXX ±0.05
 Angles ±0.25°
 REMOVE ALL SHARP EDGES AND BURRS
 PAINTING MANUFACTURER IN ACCORDANCE
 MATERIAL GR250
 MASS: N/A

DURO TANK
 DURABILITY BUILT TO LAST
 114-116 Canada St, Lake Cargelligo NSW 2672
 Phone: 1300 829 802
 Fax: 1300 259 659

THIRD ANGLE PROJECTION: AS1100
 STANDARD FINISH SURFACE
 1:6
 CHK: DATE: 00/00/2018
 DRN: MWH DATE: 20.07.2023
 CUTTING ORDER: 01

TITLE
 DT020DAESW LAYOUTS
 SHEET NO. A3
 DWG NO. DT020DAESW
 DO NOT SCALE U.N.O PAGE 03 OF 04