



'BUILT TOUGH, PROVEN TOUGH'



**Durotanker Diesel
Adblue 1,200L**

SPEC SHEET

Size	Safe Fill (L)	Weight (kg)	Length (mm)	Width (mm)	Height (mm)
1,200L / 120L	1,200L Diesel/ 120L Adblue	1,160	5000	2000	1650

Standard Features:

- Designed and manufactured in Australia to Australian Standards
- Self bunded (double wall)
- Dual Axle, low profile design with low centre of gravity
- Spare Wheel, mount to rear of trailer
- Lockable pump cabinet with gus struts
- Calibrated dipstick with safe fill level
- Safety signage for Australian regulations
- Rubber Torison Suspension - which is maintenance free
- 5x new 16" Wheel
- Electric Brakes with Brake Safe unit
- 4.5kg Fire Extinguisher and 30L Spill kit
- Side toolbox and water tank

Optional Pumps:

- 12v/24v Pump (with or without Solar Battery kit)
- Diesel or Petrol Driven Pumps

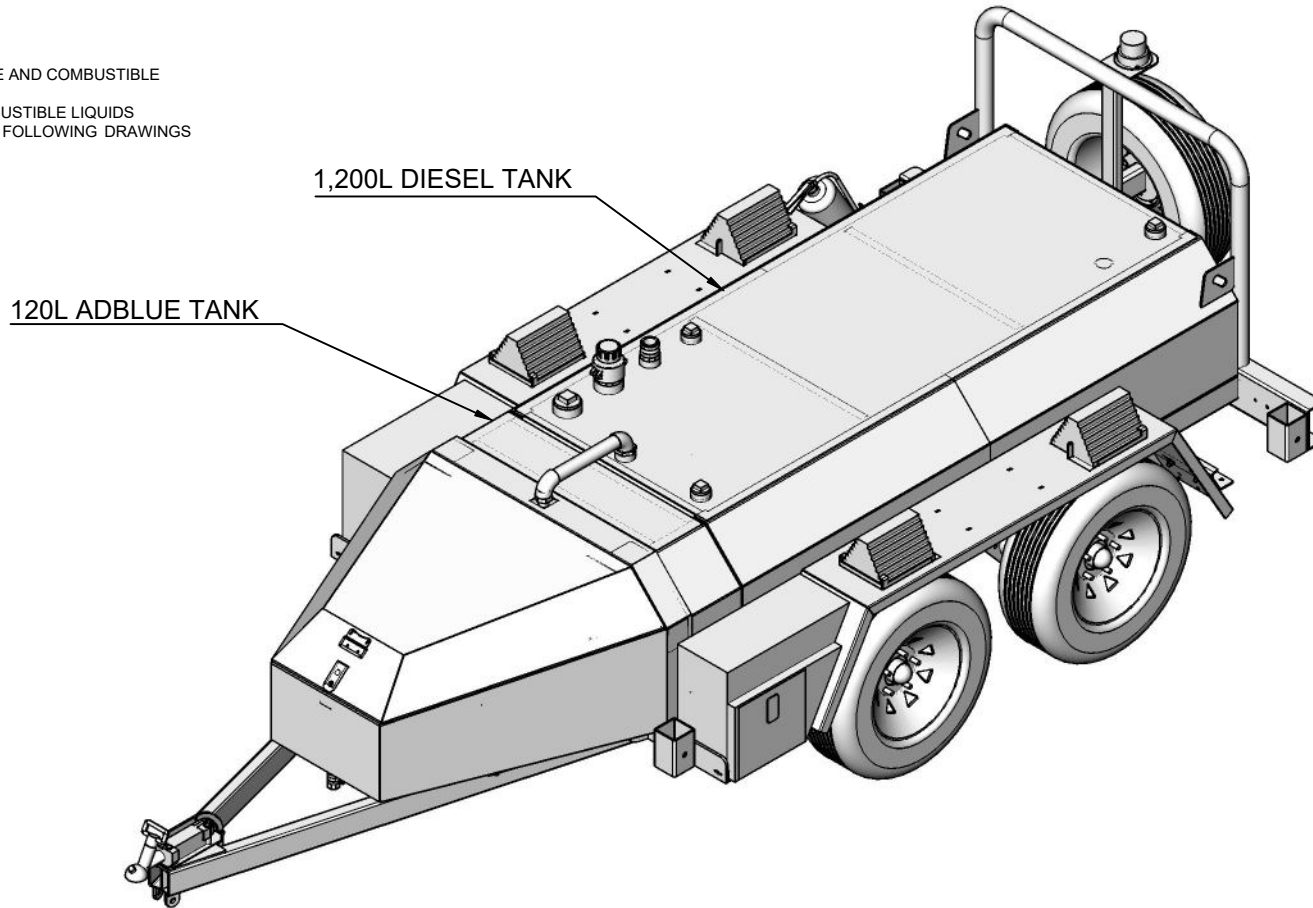
Optional Accessories:

- 10m, 20m or 30m Heavy Duty Retractable Hose Reel
- 1-10m Loose Hose
- Emergency Stop, Battery Isolator, Wheel Chocks, Wheel Nut Indicators and Reflective Mine Tape
- LED Work Light Kits
- Fuel Management Systems
- Reconnectable Breakaway Coupling
- Auto Shutoff Nozzle
- Wiggins Nozzle



ENGINEERING SPECIFICATIONS:

1. MATERIAL SPECIFICATION
 - FLAT: GRADE 300+ AS/NZS 3679.1
 - PLATE/ SHEET: GRADE 250 AS 3678
 - PFC: GRADE 300+ AS/NZS 3679.1
 - R/BAR: GRADE 300+ AS/NZS 3679.1
 - ALL FLANGES ANSI 150
 - ALL VALVES FIRE SAFE CARBON STEEL
 2. DESIGN COMPLIANCE
 - ADG CODE 7th EDITION
 - AS1940-2004: STORAGE AND HANDLING OF FLAMMABLE AND COMBUSTIBLE LIQUIDS
 - AS1692-2006: STEEL TANK FOR FLAMMABLE AND COMBUSTIBLE LIQUIDS
 - DIMENSIONAL AND MATERIAL SPECIFICATIONS WITHIN FOLLOWING DRAWINGS
- SET NEED TO BE MAINTAINED AND TO MEET COMPLIANCE



1,200L DIESEL TANK

120L ADBLUE TANK

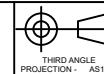
GENERAL NOTES

- ALL DIMENSIONS ARE IN MILLIMETERS (mm) U.N.O
- GENERAL TOLERANCE U.N.O
 - X ± 0.5
 - X.X ± 0.1
 - X.XX ± 0.05
 - Angular ±0.25°
- REMOVE ALL SHARP EDGES AND BURRS
- PAINTING MANUFACTURER IN ACCORDANCE
- MATERIAL GR250

A			
REV	DATE	DETAILS	BY/APPD
REVISION HISTORY			



114-116 Canada St, Lake Cargelligo NSW 2672
 Phone: 1300 829 802
 Fax: 1300 259 659



THIRD ANGLE
 PROJECTION - AS1100

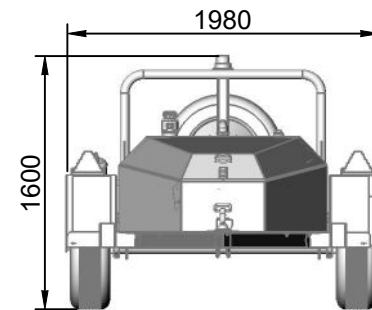
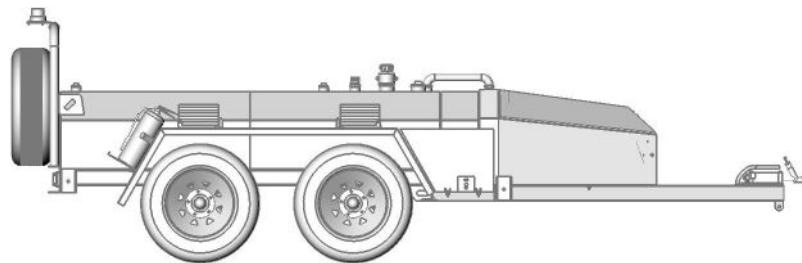
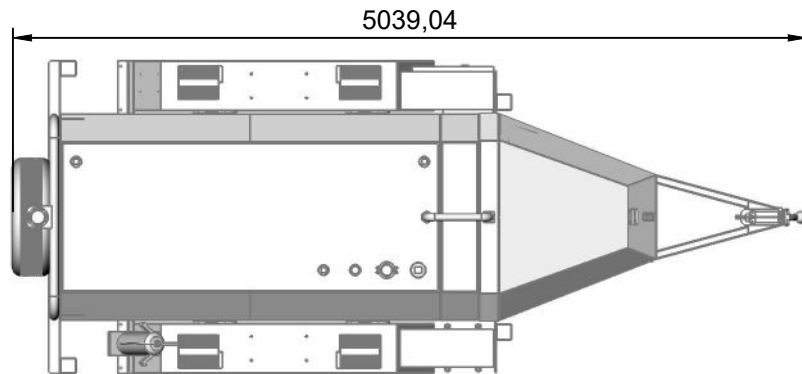


STANDARD FINISH
 SURFACE

CHK: DATE: 00/00/2018
 DRN: MWH DATE: 02.05.2019

TITLE	
OVERVIEW	
SHEET	DWG NO: DT012
A4	DO NOT SCALE U.N.O
PAGE 01 OF 02	

MASS: N/A

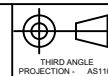


- GENERAL NOTES**
- ALL DIMENSIONS ARE IN MILLIMETERS (mm) U.N.O
 - GENERAL TOLERANCE U.N.O
 - X ± 0.5
 - X.X ± 0.1
 - X.XX ± 0.05
 - Angular ±0.25°
 - REMOVE ALL SHARP EDGES AND BURRS
 - PAINTING MANUFACTURER IN ACCORDANCE
 - MATERIAL GR250

REV	DATE	DETAILS	BY/APPD
A			
REVISION HISTORY			

DURO
TANK
DURABILITY BUILT TO LAST

114-116 Canada St, Lake Cargelligo NSW 2672
Phone: 1300 829 802
Fax: 1300 259 659



THIRD ANGLE
PROJECTION - AS1100



STANDARD FINISH
SURFACE

CHK: DATE: 00/00/2018
DRN: MWH DATE: 02.05.2019

TITLE		PART	
SHEET	DWG NO:	DT012	
A4	DO NOT SCALE U.N.O	PAGE 02 OF 02	

MASS: N/A